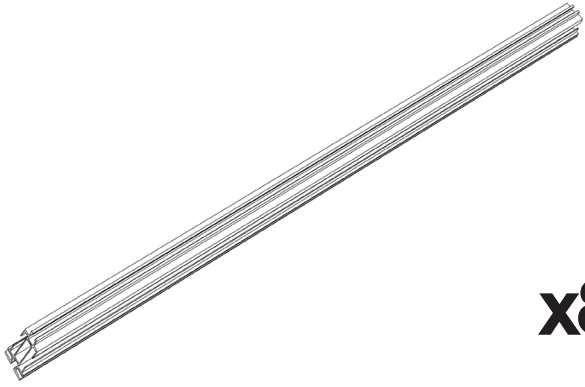


Assembly Instructions for a standard 3m x 2m Tension Fabric Frame.

**Your frame may
be a slightly
different size but
the same rules
apply.**

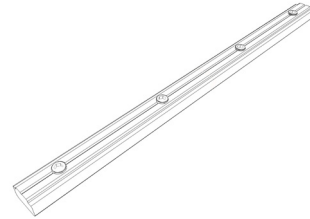
In the box.

1 metre UA9544 - Two-sided TFS - mitre cut



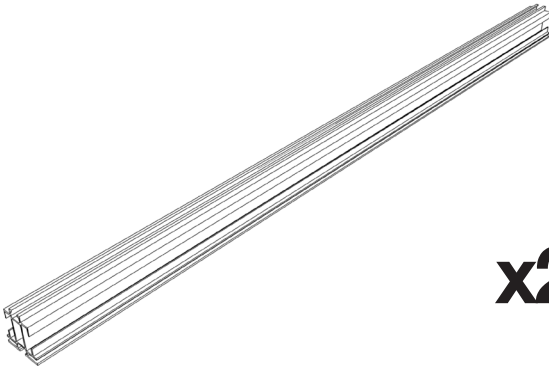
x8

ua3834 extension bar 185mm



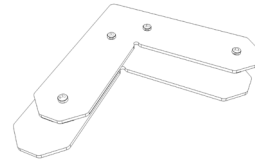
x2

1 metre UA9544 - Two-sided TFS - straight cut



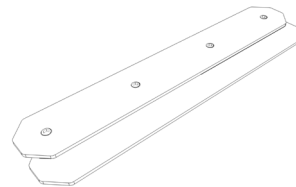
x2

UA10775 - Twin plate corner cleat for TFS



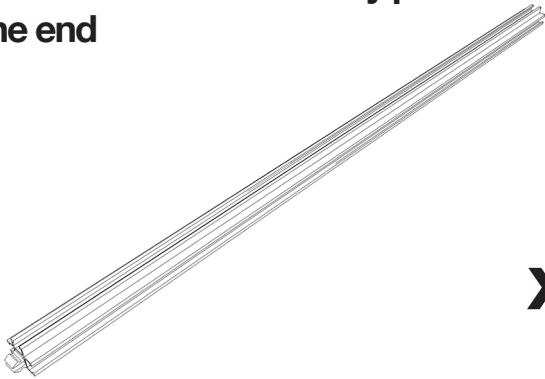
x4

UA12592 - Twin plate in-line cleat for TFS



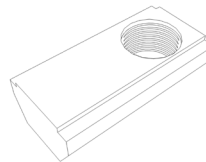
x6

1 metre UA4696 - Three-way profile with cleat at one end



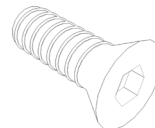
x2

UA6072 - M8 roll nut



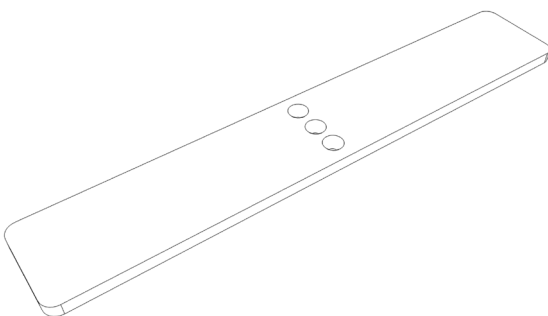
x6

M8 bolt



x6

UA10189 - Rectangular foot plate 445 x 76



x3

3mm hex key



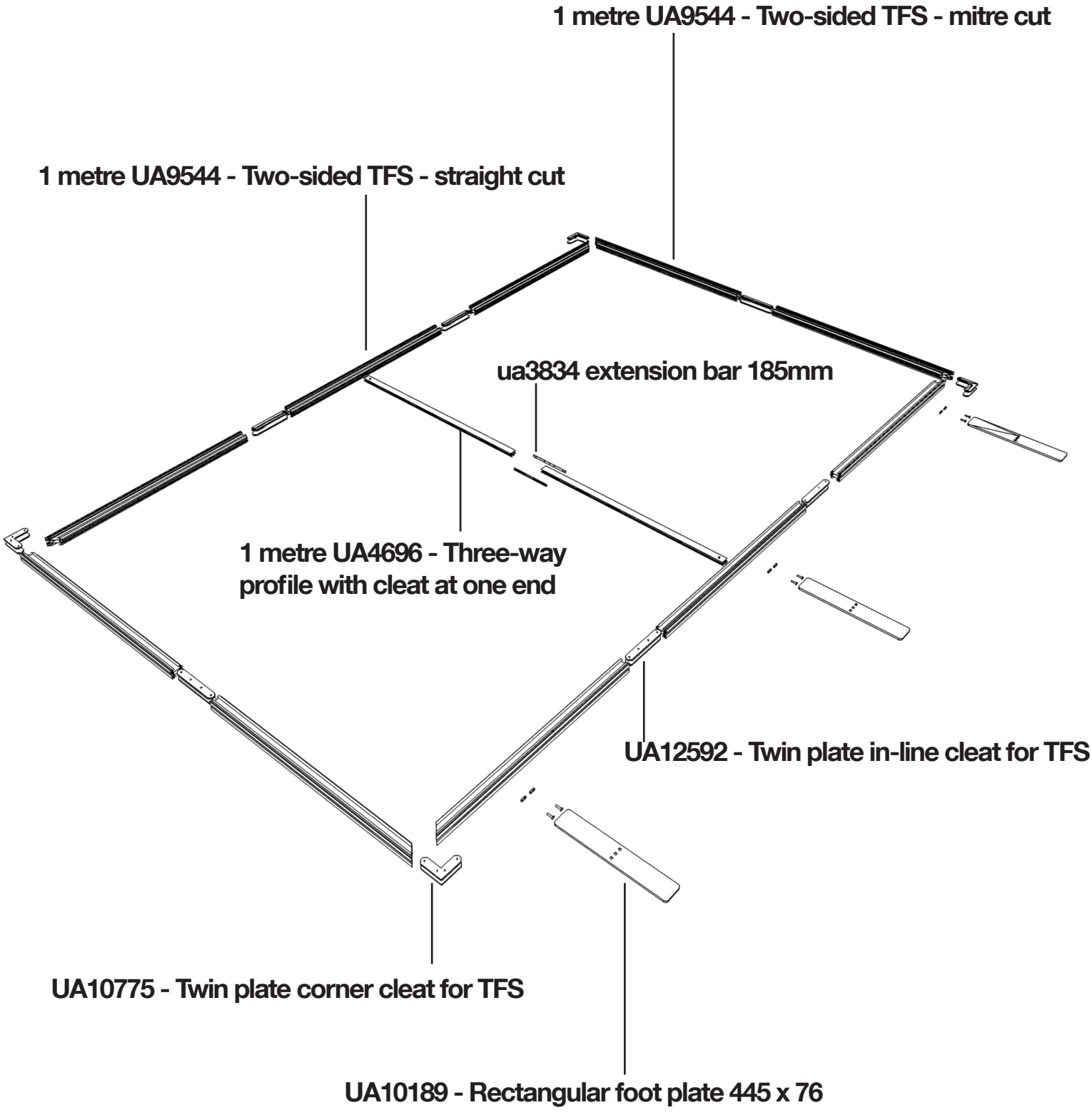
x1

5mm hex key

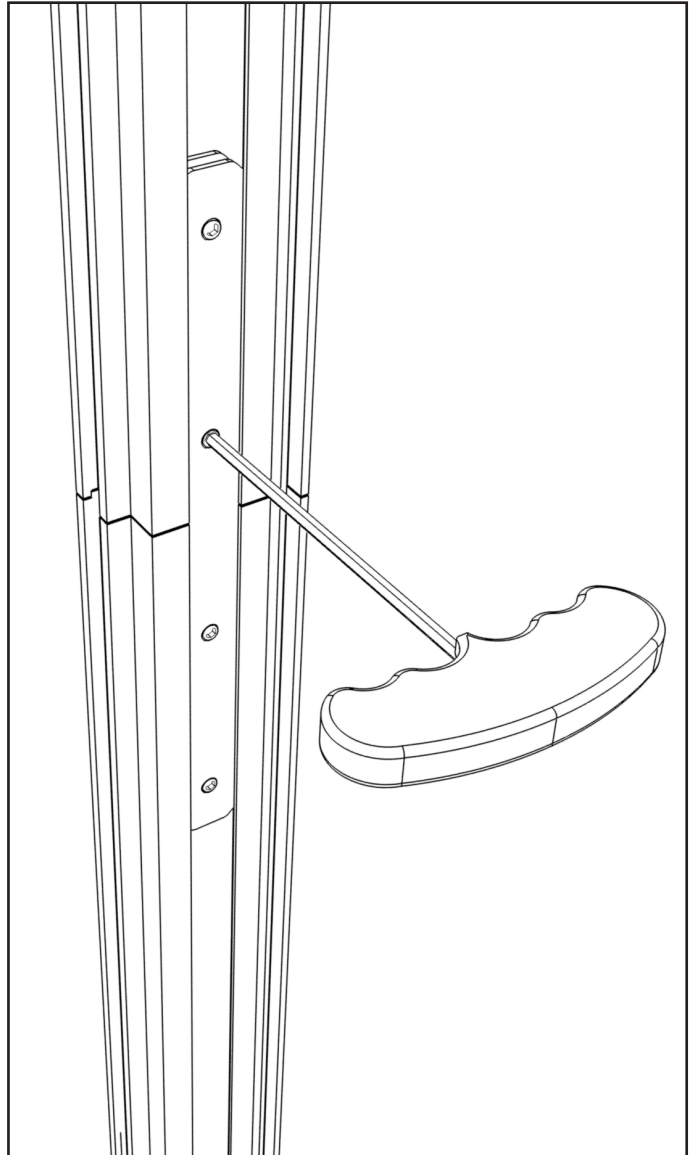
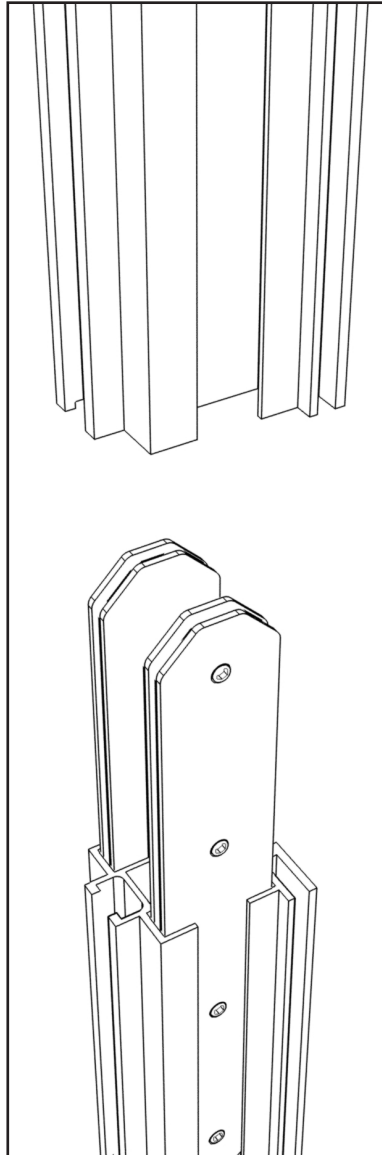
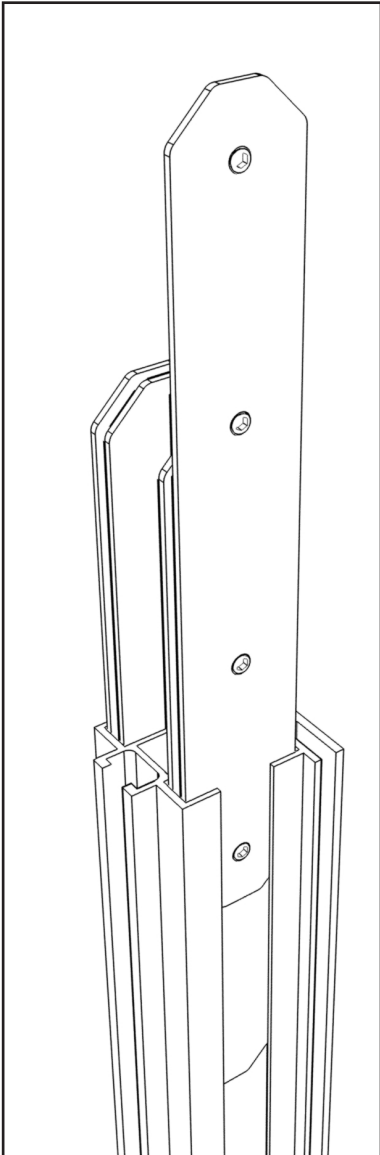
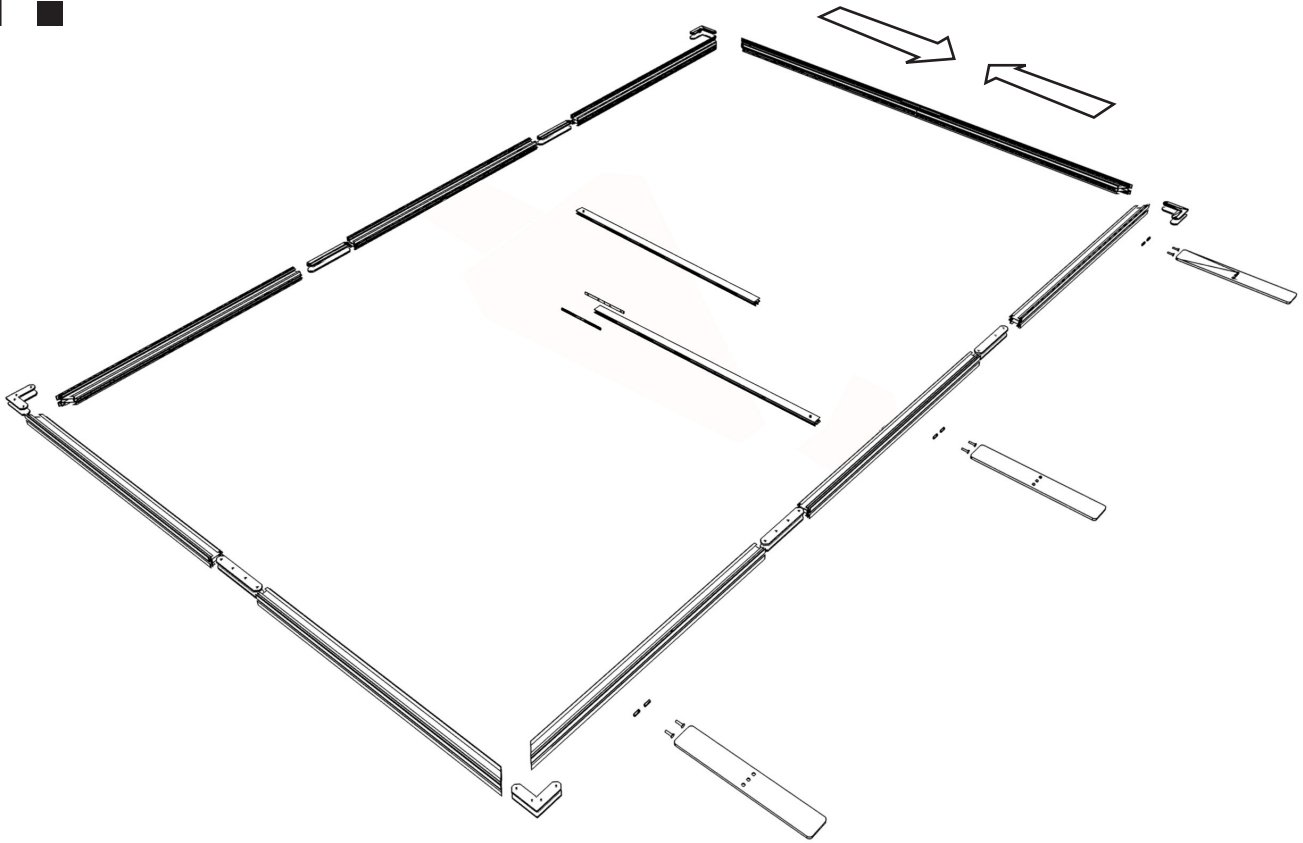


x1

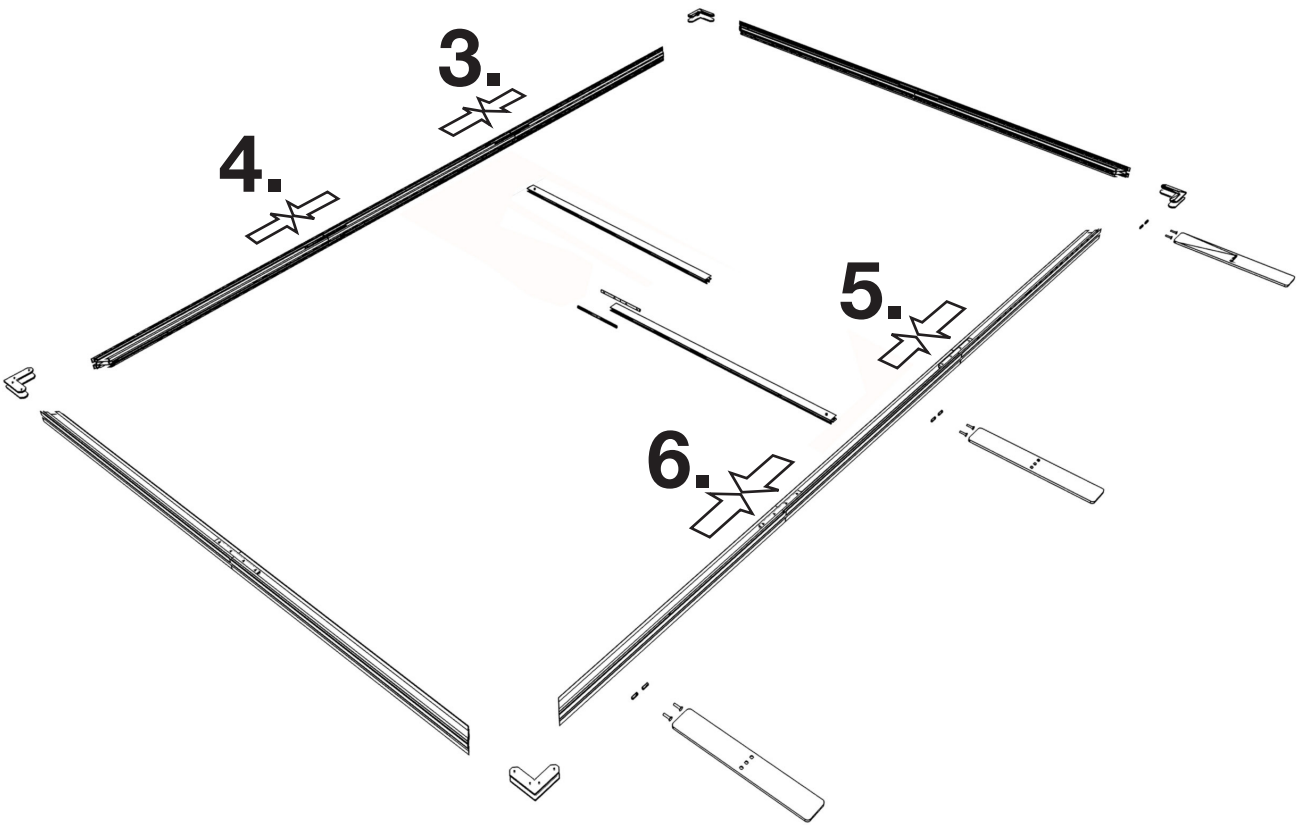
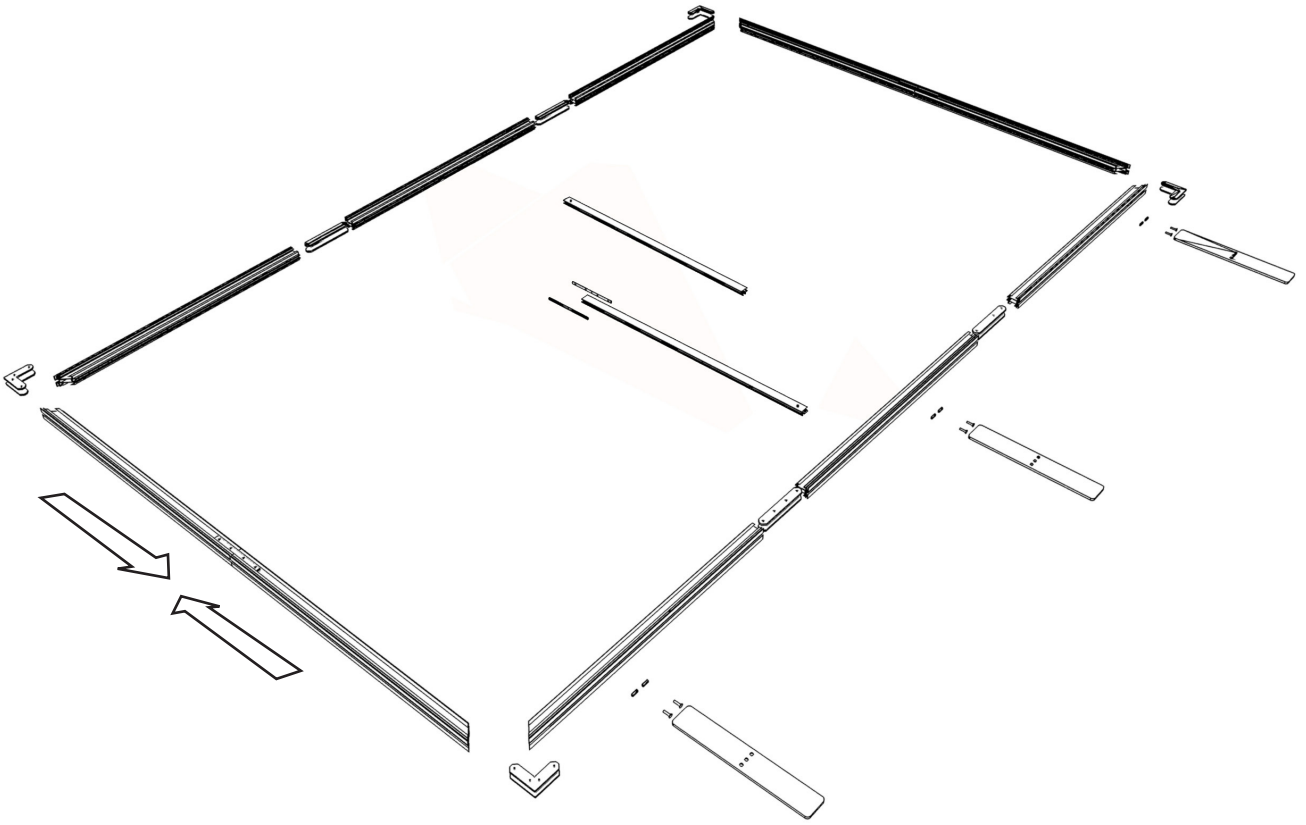
Laid out.



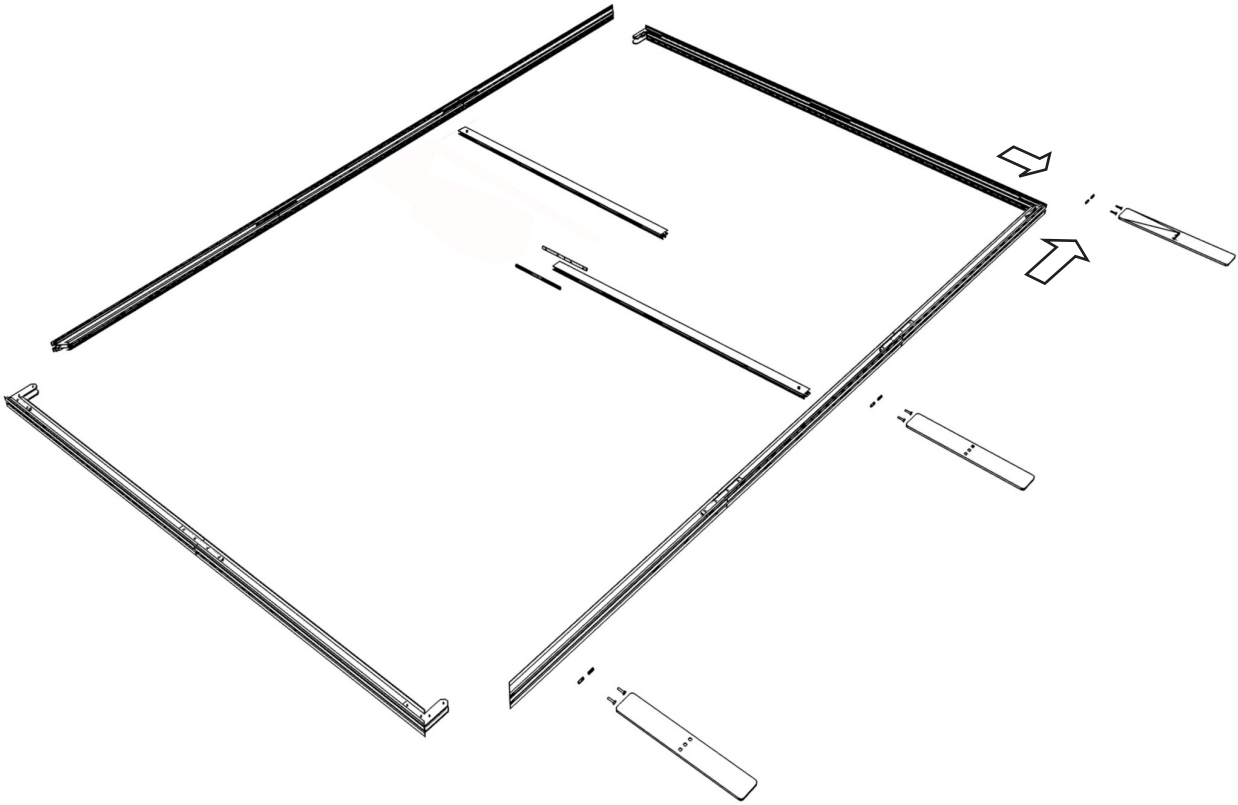
1.



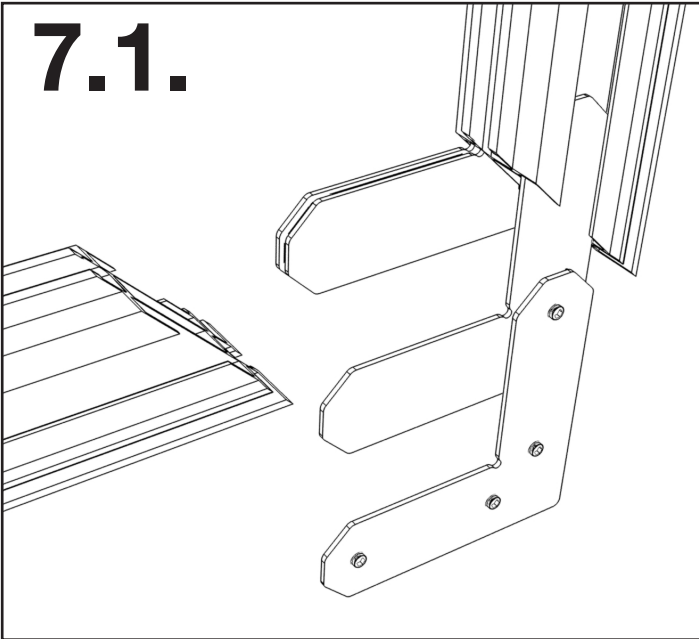
2.



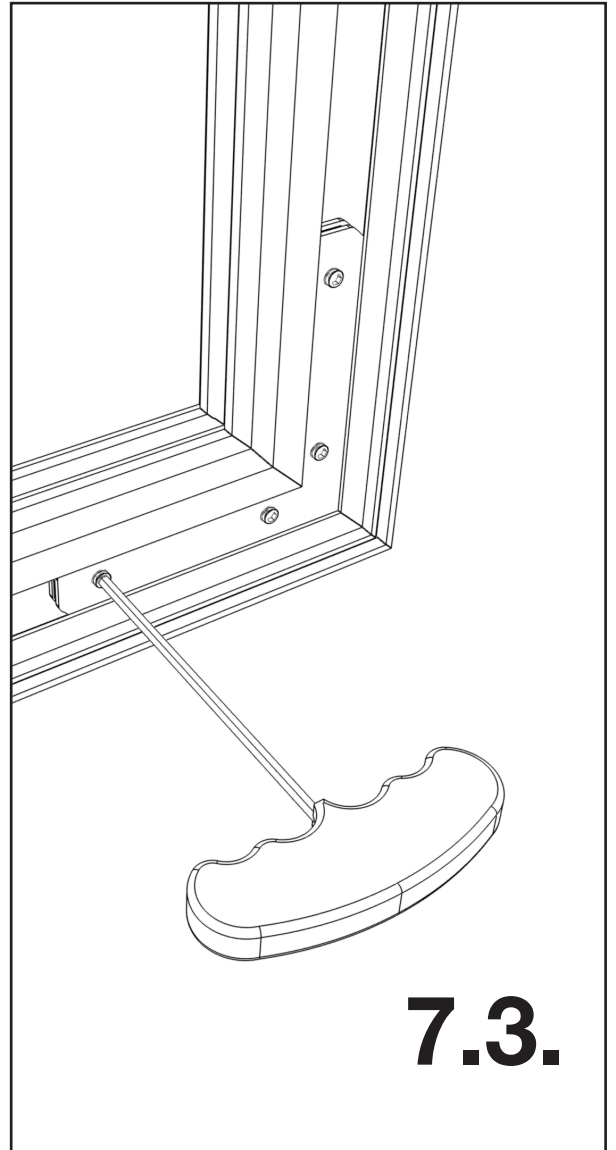
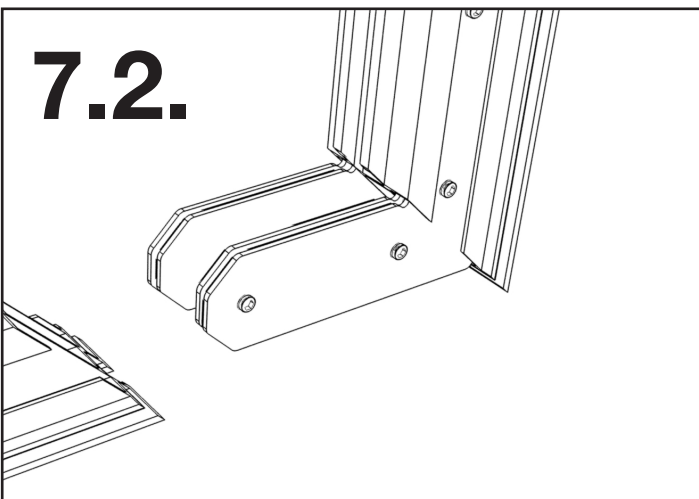
7.

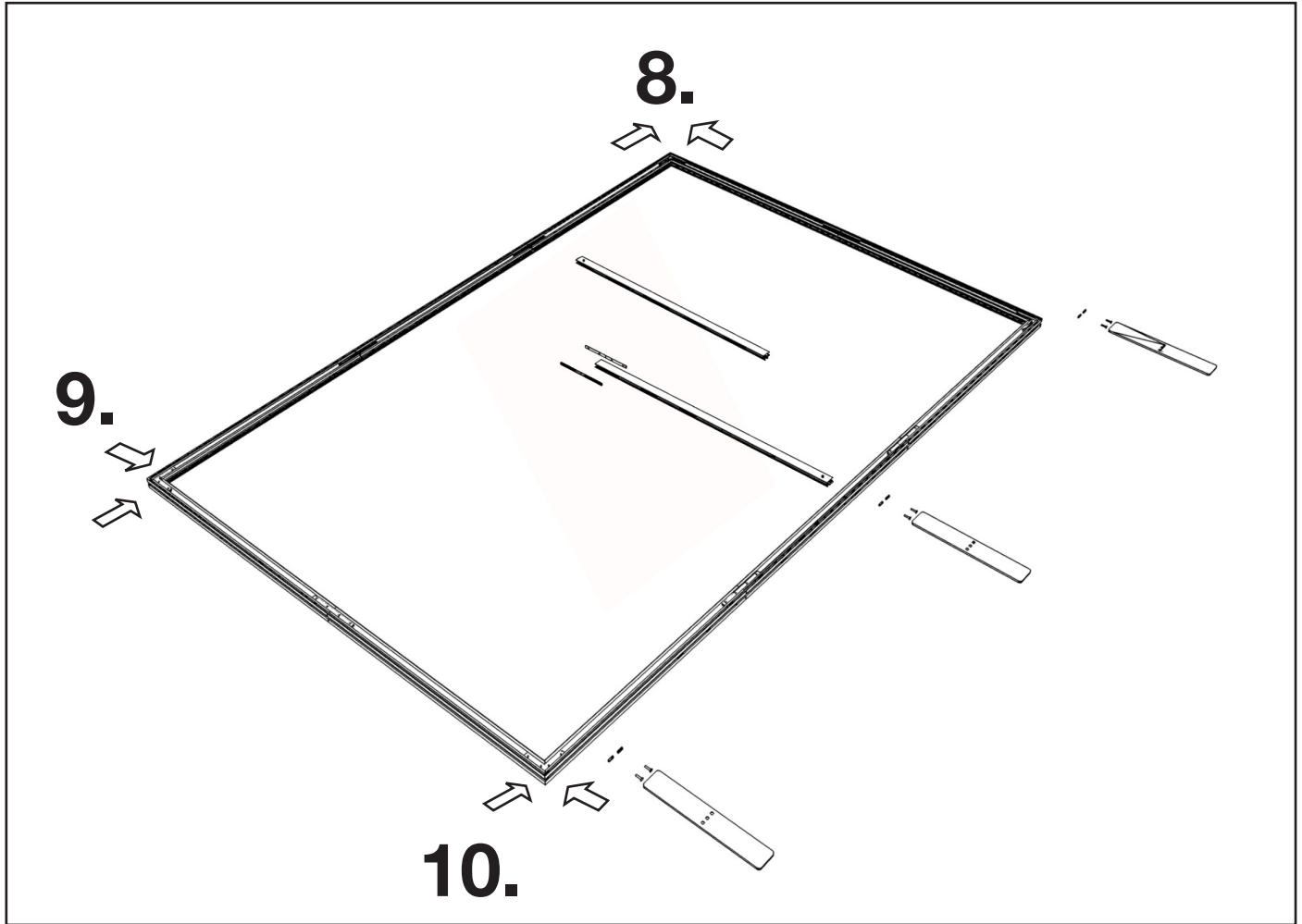


7.1.

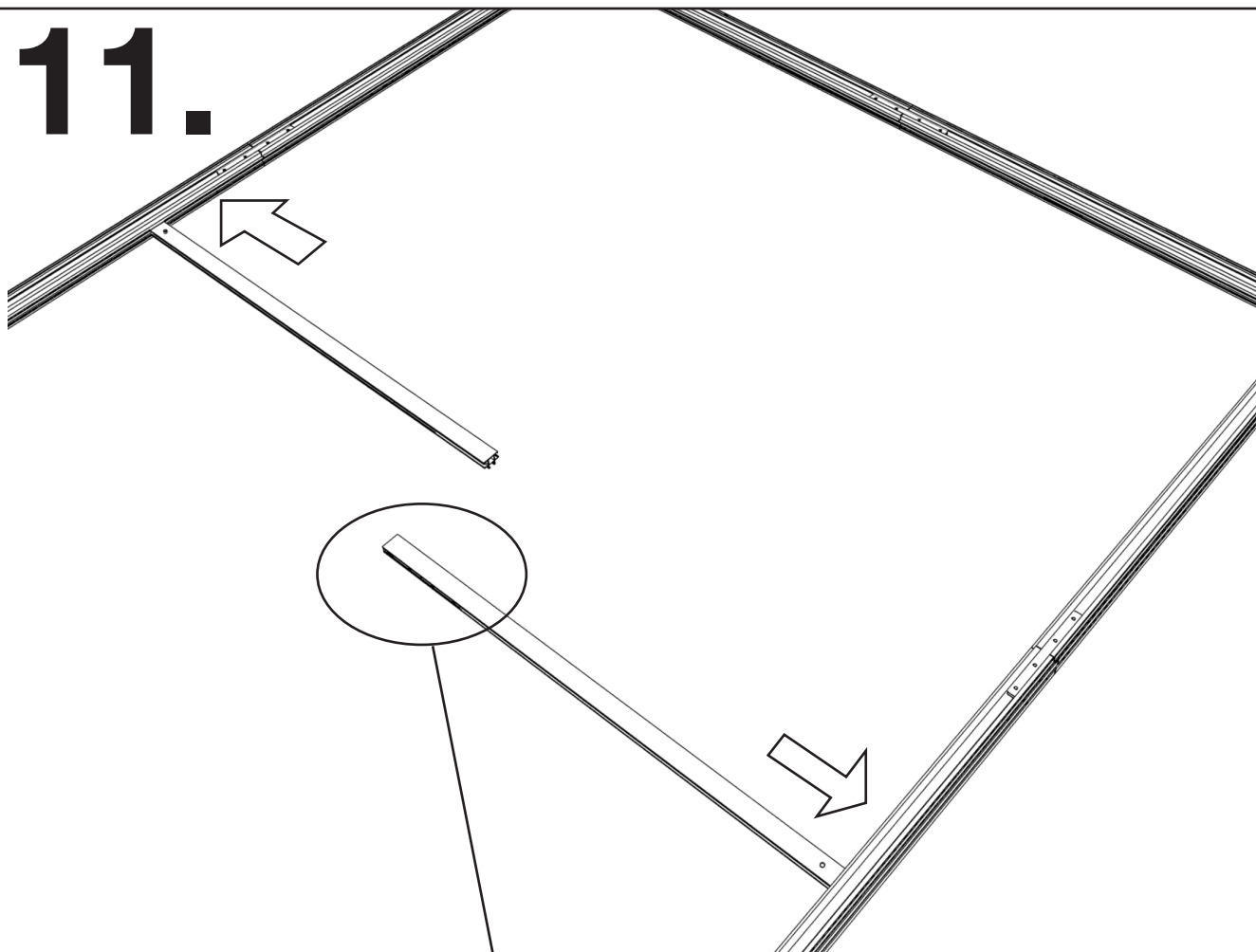


7.2.

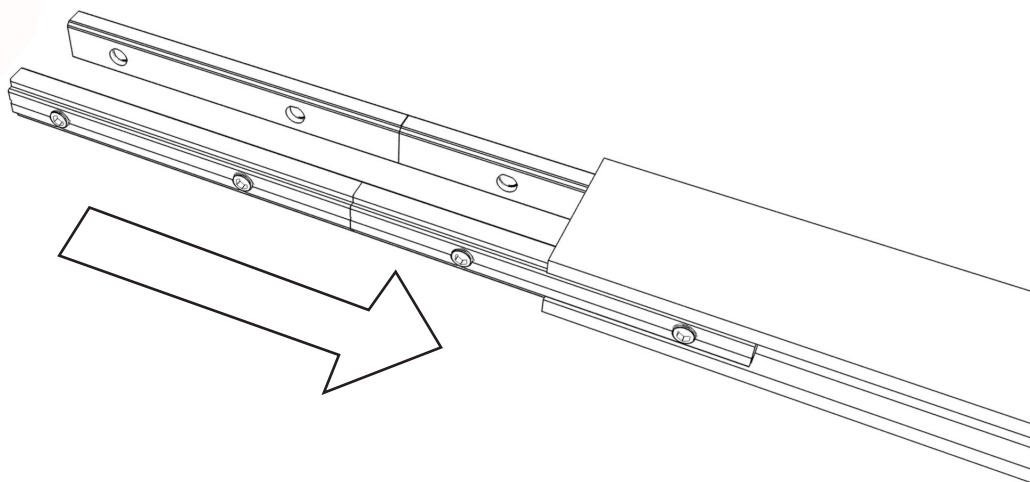




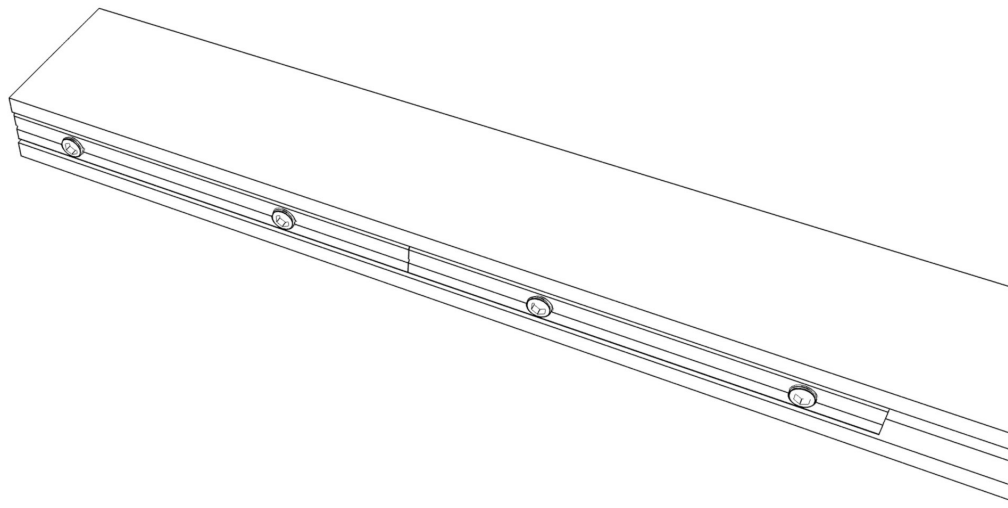
11.



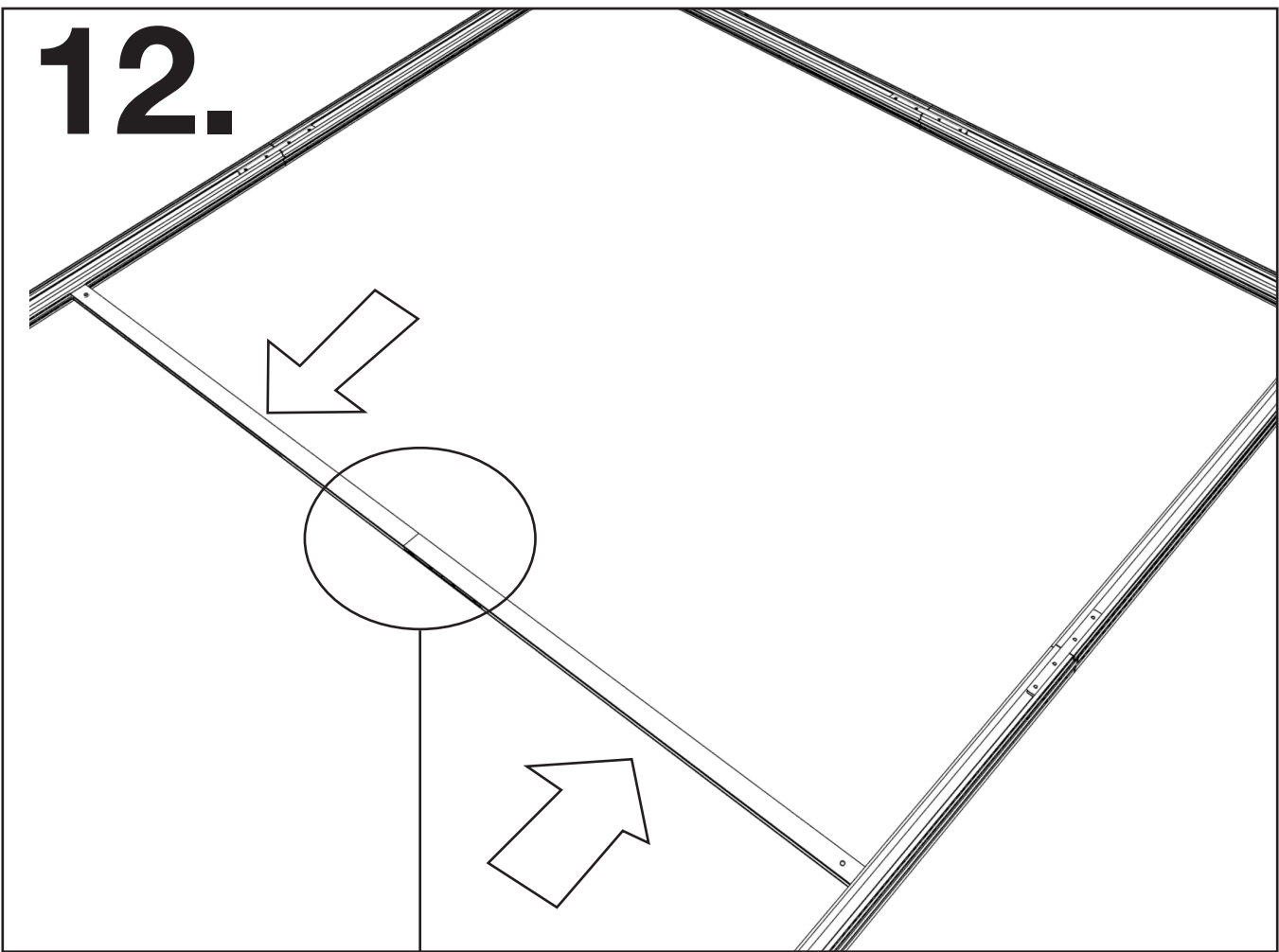
11.1.



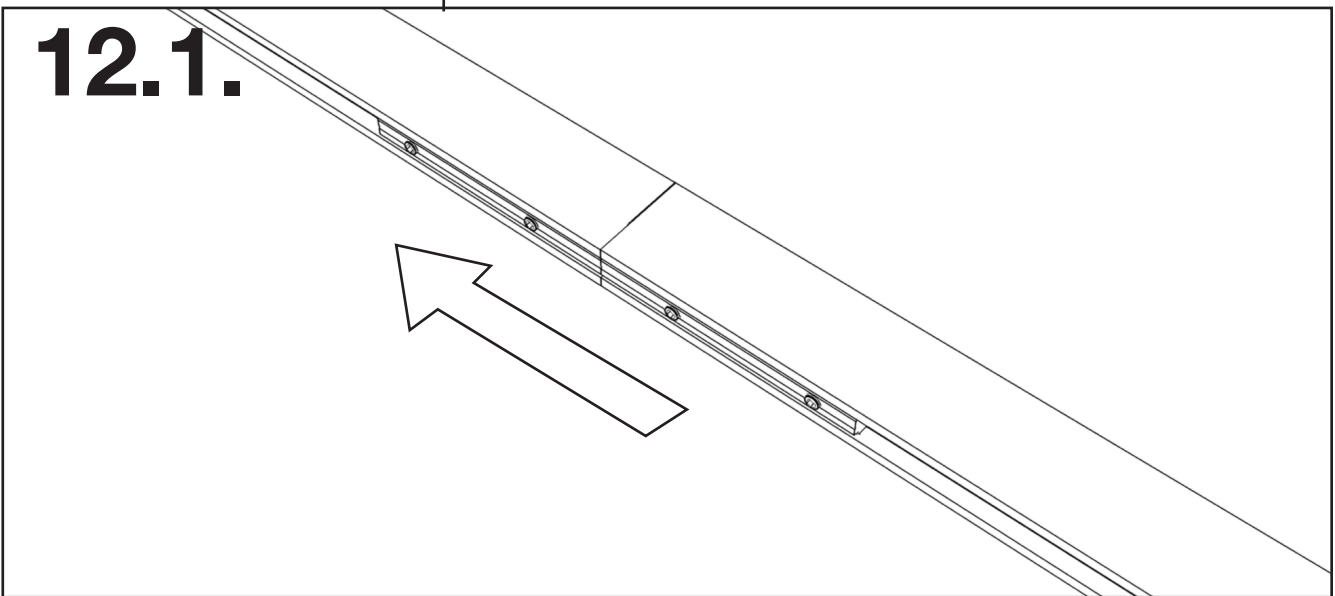
11.2



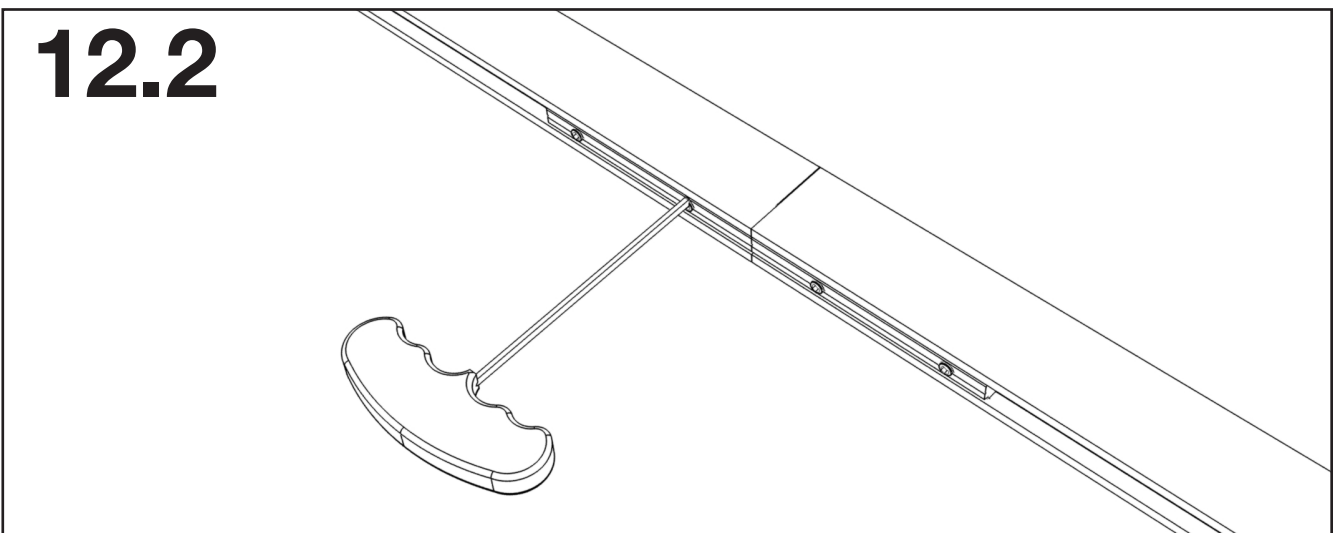
12.



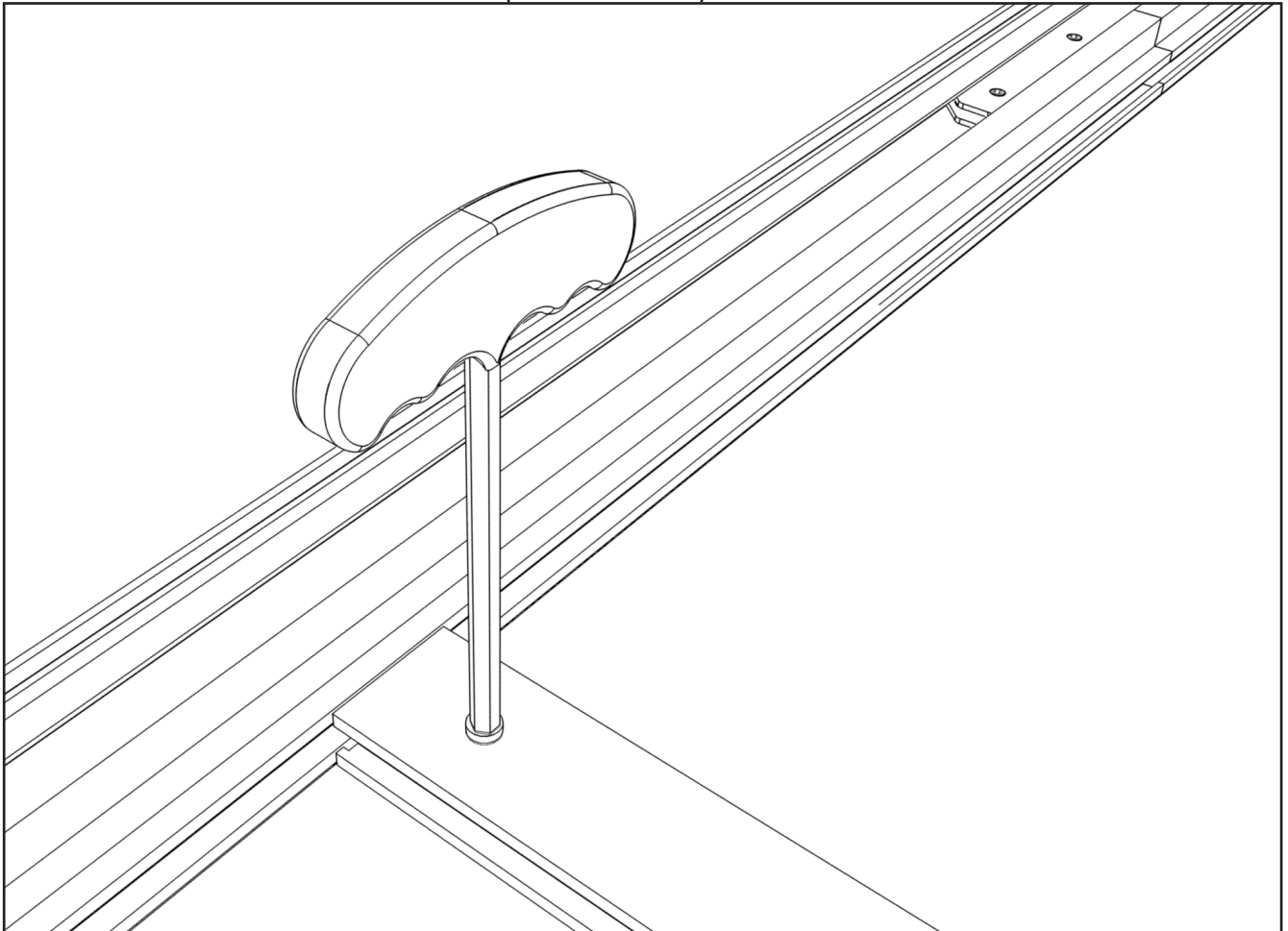
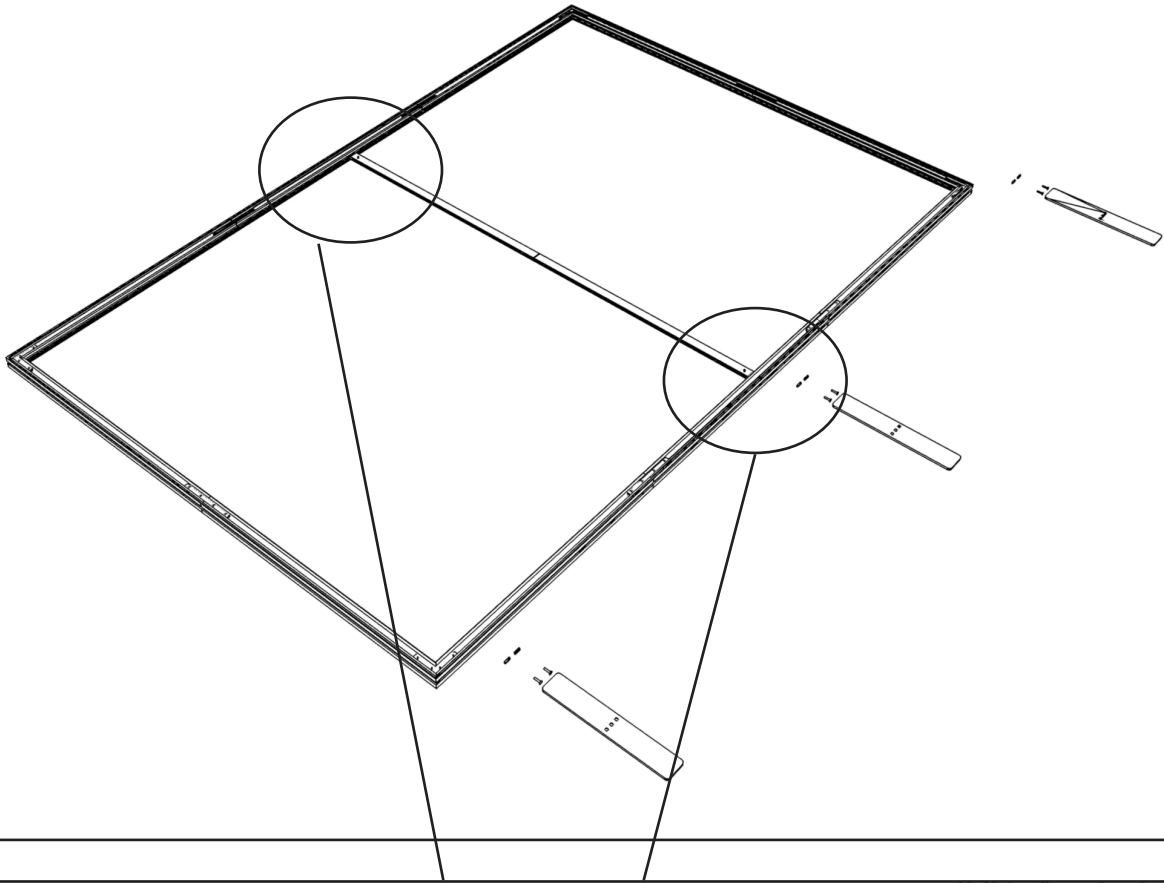
12.1.



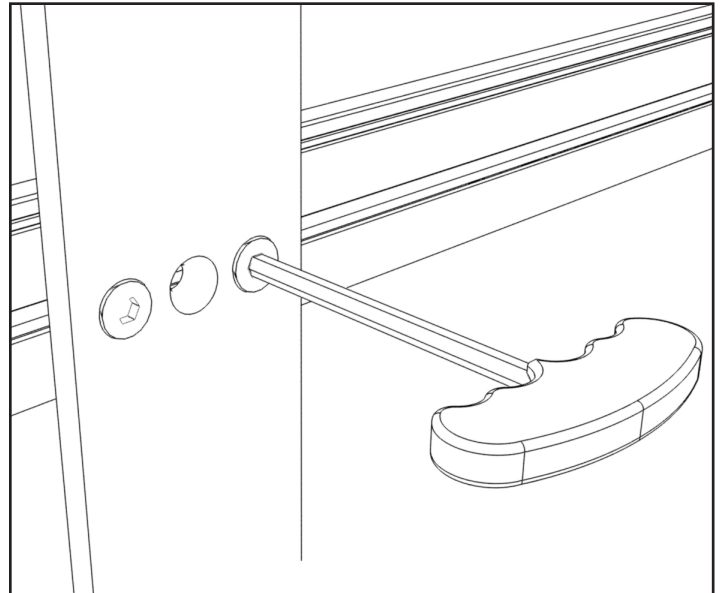
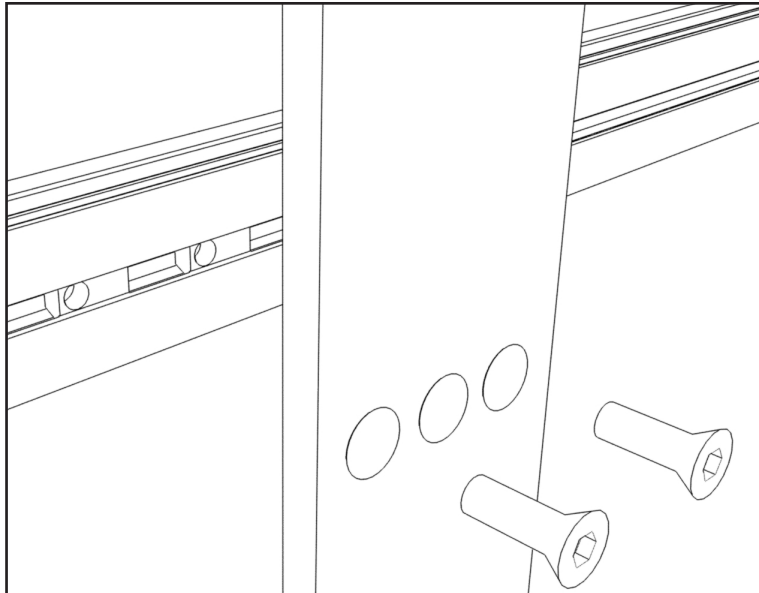
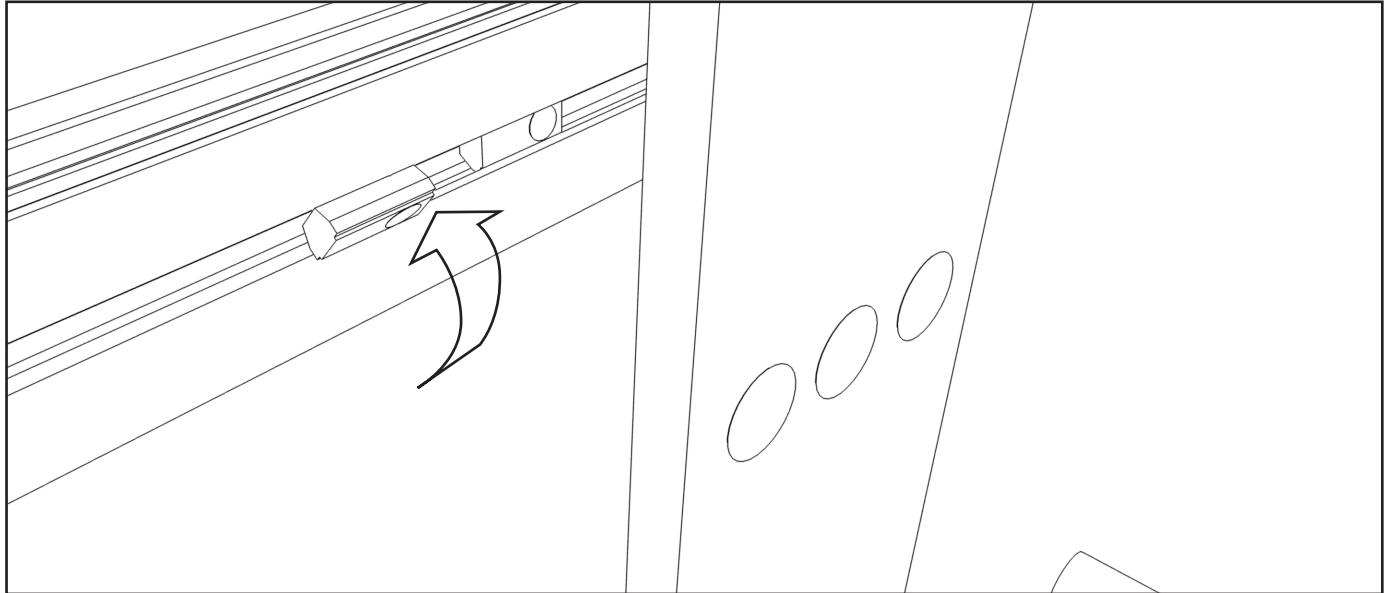
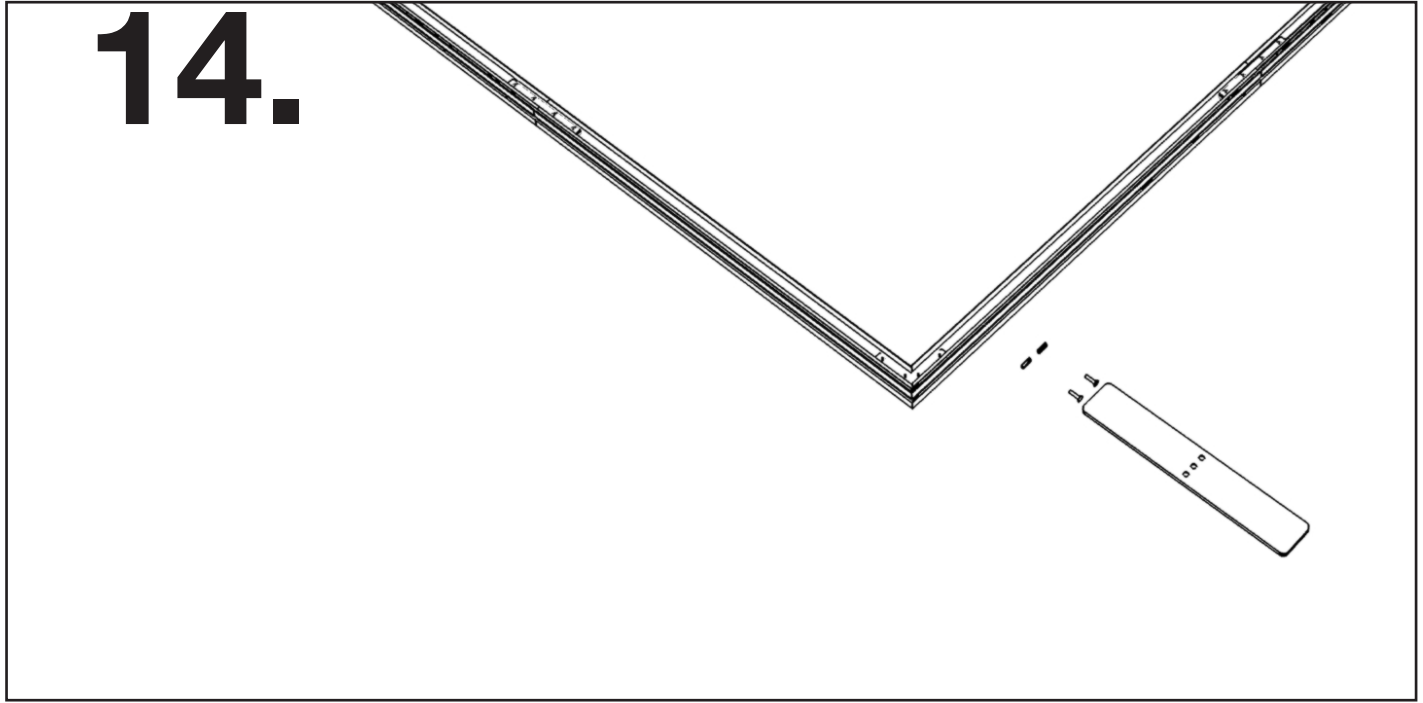
12.2



13.



14.



15.

